

# LT760

small character inkjet printer

Specifically designed to meet basic coding and production applications across a wide range of industries. Designed to meet the demand for high-quality and reliable printing. It provides an extremely user-friendly interface and is noted for improving production efficiency and offering cost savings.



The coding machine suitable for manufacturing-type companies. The choice for production-oriented enterprises.

### Easy to use

Easy-to-use system operation. Short training time.  
One-click Auto Switch, without complicate manual operation.  
Automatic adjustments to the viscosity, ensuring the stability of machine.

### Excellent stability

Can still print after long prolonged shutdown.  
The automatic cleaning function, without manual operation, ensures the normal working status of equipment.  
Integrated ink-control system to meet a variety of work environments and exquisite font print.

### Unique design

IP65 dust-proof.  
Ultra-quiet operation that reduces noise pollution in the workplace.  
External power source, effectively decreasing the temperature in the cabinet.

### Intelligent ink circuit system

Efficient use of consumables to achieve cost savings.  
Intelligent ink cartridge and solvent system, which has default alarm if inserting cartridges wrongly.  
High-performance inks are designed for current applications and production environment.

### Economic and environmental consumables

Insert and run, convenient and quick, reducing the pollution in the workplace.  
Excellent print performance, satisfying the demand of different products.  
Environmental, quick-drying, high adhesion. The life test of the consumables and the hardware of equipment shows that it effectively prevents the hardware from premature degradation.

### The innovation of nozzle

30° slanted printhead, more adapting to the production line.  
Plastic injection, solving the risk of ink bleed.  
Integrated design, simplifying replacement of parts and making it recover rapidly from downtime.

[www.leadtech.ltd](http://www.leadtech.ltd)

Lead Tech brand – Best Productivity with lowest cost of ownership Identification manufacturer.  
We are committed to provide quality services for the identification technology and manufacturing companies worldwide.



# LT760

▶▶  
small character inkjet printer

## Printing Performance

1-4 lines (7X5matrix)  
1-5 lines (5X5matrix)  
Maximum speed=450m/min@5X5

## Font matrix

5X5,7X5,9x7,12X9,16X11,19X14,  
24X17,32X22

## Character Height

1-12mm,depending on the font

## Printing Distance

2mm to 30 mm  
Best : 10mm

## Inkjet character

English, Arabic numbers, bar code,  
serial number, automatic date, use-  
defined characters, special logo

## Extra memory

SD Card

## Memory space

68 messages +50 Logo

## Industrial protection

Ip65

## Nozzle

60 microns

## Umbilical length

Super soft, length 3m

## Printing direction

360° all-round printing

## Cartridge volume

Ink (500ml)  
Make-up (750ml)

## Temperature/Humidity range

0-45°C  
0-95% relative humidity,  
non-condensing

## Power

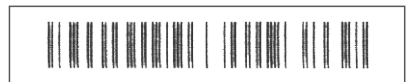
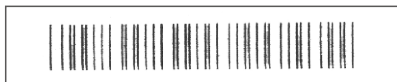
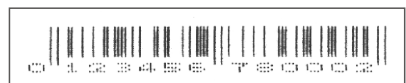
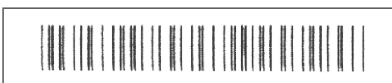
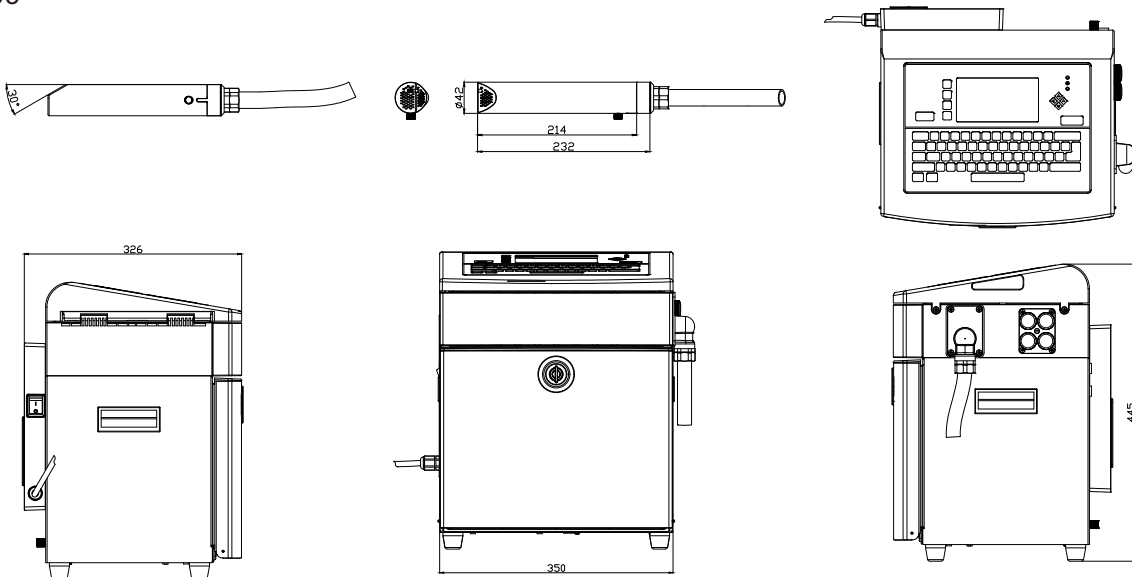
AC100-240V 50/60Hz  
60VA

## Net weight

17KG

## Dimension

410X330X445mm



**The Perfect Identification Creator**  
Lead Tech is a trusted provider of continuous inkjet,  
laser coding and carton marking equipment provider.



**LEAD TECH (ZHU HAI) ELECTRONIC CO., LTD.**

Tel: +86 756 7255629

Fax: +86 756-7255638

www.leadtech.ltd

E-mail: lt@leadtech.ltd

Add: 2-3/F, NO.1 building, Jin Liang Road, Kuangshan industrial

zone, Hongqi Town, Jinwan District, Zhuhai City, Guangdong China